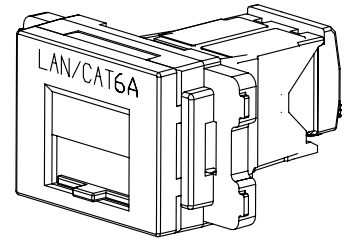
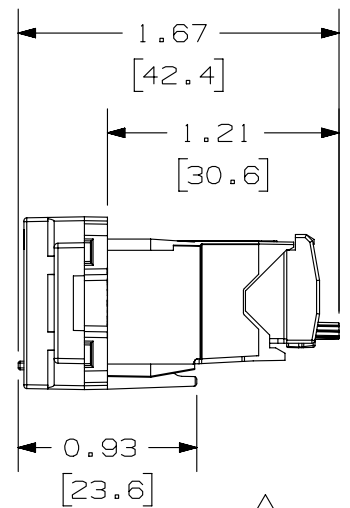
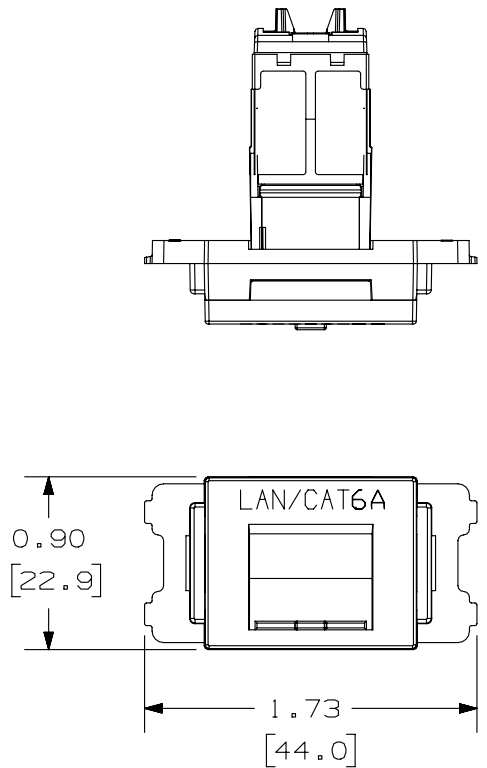


THIS COPY IS PROVIDED ON A RESTRICTED BASIS AND IS NOT TO BE USED IN ANY WAY DETRIMENTAL TO THE INTERESTS OF PANDUIT CORP.



PANDUIT P/N	WEIGHT
JASSP6ATG**	.30 LB/10 PCS (138.3 g/10 PCS)

- NOTES:
- SEE CURRENT CATALOG FOR ADDITIONAL PART NUMBER SUFFIXES TO INDICATE COLOR AND OR PACKAGE QUANTITY.
 - SEE CATALOG FOR COMPLETE LIST OF PARTS APPLICABLE FOR USE WITH THIS PART.
 - DIMENSIONS IN PARENTHESES ARE IN METRIC.
 - PARTS INCLUDED IN KIT:
 - 1- ADAPTER WITH CLEAR DOOR AND LAN/CAT 6A PRINT
 - 1- MINI-COM TX6A 10GIG UTP JACK MODULE

VIEW SHOWN WITH A CAT 6A UTP JACK MODULE INSTALLED.

PART NUMBER	JASSP6ATG**	PRODUCT SPEC/PKG SPEC	N/A
I.I. NUMBER	N/A	WORK INSTRUCTION	N/A
TITLE JIS SPRING SHUTTERED ADAPTER KIT (CAT 6A)			
CUSTOMER DRAWING			
ITEM REVISION NAME	M00876AA/06		
DATASET FILE NAME	M02479HL_DC196/00B		
UNLESS OTHERWISE SPECIFIED, DIMENSIONAL TOLERANCES ARE: IN [mm]		MATERIAL:	
.x ± .1 [.254]	.xxx ± .005 [.127]	ADAPTER: ABS	
.xx ± .01 [.25]	ANGLES ± 5 °	DOOR: PC	
THIRD ANGLE PROJECTION		JACK MODULE HOUSING: ABS	
DRAWING NUMBER:		TERMINATION CAP: PC	
02479-196		SPRING: SPRING STEEL	
DRAWN BY	DATE	CHK	SCALE
JSP	8-9-06	MJD	NONE
SHT 1 OF 1			SIZE A

REV	DATE	BY	CHK	APR	DESCRIPTION	ECN
2	3-18-14	MDJR	REFR	MMR	C. UPDATED TITLE BLOCK.	02479-196
1	2-26-13	BJN	JSP	JSP	B. CAT 6A WAS CAT 5e A. JASSP6ATG** WAS JASSP58**Y	02479-196
R	8-9-06	JSP	MJD	MJD	RELEASED TO PRODUCTION	02479-196

D10100DA/14